



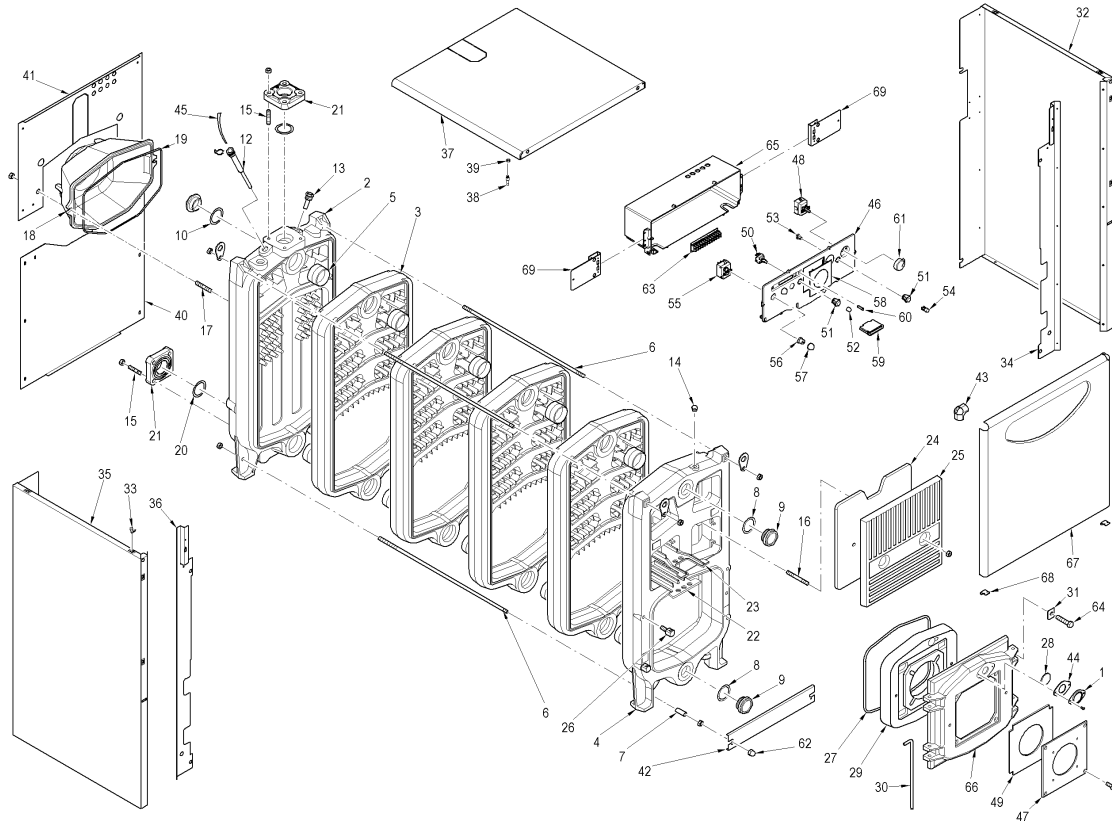
Fonderie Sime S.p.A. - Via Garbo, 27 - 37045 Legnago (VR) - www.sime.it
 Tribunale Verona 13531 - R.E.A. VR 171357 - C.C.P. 19423375 - N° Mecc. VR 014435
 Capitale Sociale Euro 5.521.200 int. versato - Codice Fiscale/Partita IVA n. IT 01275930236

Comfort Ambiente - Via Garbo, 27 - 37045 Legnago (VR)

Tel +39 0442 631111 - Fax Servizio Commerciale: Italia +39 0442 631291 - Estero +39 0442 631293

Fax Servizio Tecnico +39 0442 631292 - Fax Ufficio Acquisti +39 0442 631292 - Fax Amministrazione +39 0442 631336

8056610 C.I. oil boiler 2R 15 OF



Position	Code	Description	Where used	Advised parts	Price list
001	6047400	Sight frame			2.36
002	6108101	Rear section			461.11
003	6108201	Intermediate section 2R			294.4
004	6108311	Front section			394.9
005	6000403	Push nipple 2-1/2"			5.91
006I	6268422	Tie-rod M14X1620			10.64
007	6003405	Spacer Ø 21x42			4.72
008	2030232	Gasket Ø 60x77x2			2.36
009	2041004	Plug 2"			10.64
010	2030208	Piracriten gasket Ø 65x95x2			1.17
012	5000000	Bulb holder 1/2" L=120			9.46
013	5064600	Bulb holder 1/2" L=50			8.28
014	2041030	Plug 1/4" Zn			2.36
015	6000606	Stud M12x50			1.17
016	6000605	Stud M10x65			0.61
017	6000601	Stud M10x45			0.61
018	5103410	Complete smoke chamber			0.0
019	6291503	Gasket for smoke chamber			17.74
020	2030208	Piracriten gasket Ø 65x95x2			1.17
021	6007003	Square flange 110x110x2"			10.64
024	6108401	Cleaning door insulation			22.46
025	6108500	Cleaning door			50.85
026	6112410	Door hinge			7.11
027	1232405	Glass fiber Ø12 L=1,5 mt			18.54
028	6020100	Sight glass			7.11
029	6269002	Combustion chamber door insulat			59.11
030	6112305	Door hinge bolt			9.46
031	6239204	Rectangular fixing plate			2.36
032I	6302359	Casing right hand side panel			111.13
033	2015000	Spring clip			0.61
034	6303051	Casing right angle bar			23.65
035I	6302459	Casing left hand side panel			111.13
036	6303061	Casing left angle bar			23.65

037I	6302569	Casing top cover 2R 15 OF	99.32
038	2003000	Pin M5 Zn	0.81
039	2010102	Nut M5 ZnCr	0.61
040	6110413	Casing rear lower panel	36.67
041	6110520	Casing rear upper panel	27.2
042	6206411	Casing rear lower panel	14.18
043	6282161	Front panel angular	4.72
044	6174802	Sight frame insulation	1.17
045	2051000	Contact spring	0.81
046	6298912	Control panel without equipment	17.74
047A	6079304	Burner mounting plate	27.2
048	6001501	Boiler stat	22.46
049	6101803	Burner mounting plate insulatio	9.46
050	6013550	White switch	7.11
051	6299701	Black switch frame	0.81
052	6299801	Push button black switch	0.81
053	6300100	Support cap	0.61
054	6300001	Switch cap	0.81
055	6001406	H.L. stat	24.83
056	6247351	Cap thermostat	2.36
058	6155473	Plastic cover	4.72
059	6001761	Thermometer 0-120°C	17.74
060	6044015	Green signal lamp	8.28
061	6230951	Knob	4.72
062	2010304	Domed nut M14 ZnCr	4.72
063	2211000	Terminal strip	5.91
064	2000032	Screw M12 x 55	0.81
065	6299000	Control panel protecting cover	17.74
066	6108811	Combustion chamber door	143.07
067	5195508	Front panel with angular	41.38
068	6189587	Casing door bracket	4.72
069	6189588	Control panel supporting bracke	8.28
703	5194810	Complete control panel	176.16
704	6055807	Main cable L=3000	5.91
707	6050900	Set boiler assembling tools	1714.4
710	5187111	Combustion chamber door assembl	0.0
723	5100810	Cast iron boiler body 2R 15 OF	3616.79
724	5102910	Complete casing without control	730.68

- A = Spare parts for minimum fittings
- A+B = Spare parts for basic safety fittings
- A+B+C = Spare parts for extended safety fittings